

DELTA 2000 FO

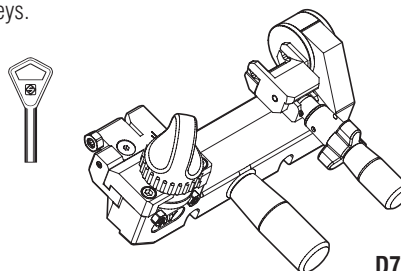


Key cutting machine for cutting by code Ford Tibbe® (F021P) and Jaguar® (TBE1P-TBE2P) type keys.

Innovative, small and compact, versatile.

OPTIONAL

"AY" carriage for a duplication by code of Abloy® type keys.



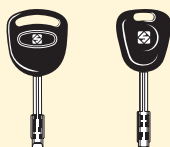
D713653ZB



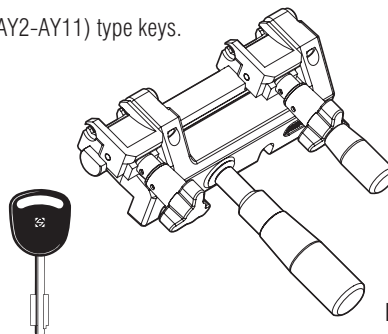
Machine built to CE standards.



Ford® and Jaguar® type keys



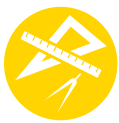
"Multicopy" carriage for a duplication by copy of Ford® (F019P-F020P), Abus® (AB32-AB38P) and Abloy® (AY1-AY2-AY11) type keys.



D713655ZB

® Registered trade marks

DELTA 2000 FO



TECHNICAL DATA

Motor:	230V/50Hz - 0,13 Kw (PLUS - FS - BRAZIL versions: 110V/60Hz; JAPAN version: 100V/50-60Hz)
Cutting tool:	High speed steel (HSS)
Dimensions:	width 210 mm - depth 370 mm - height 250 mm
Weight:	14 Kg



AVAILABLE VERSIONS

<i>DELTA 2000 FO</i>	Code D813904ZB
<i>DELTA 2000 MC</i>	Code D813905ZB
<i>DELTA 2000 AY</i>	Code D813556ZB
<i>DELTA 2000 A</i>	Code D813893ZB
<i>DELTA 2000 SA</i>	Code D813892ZB
<i>DELTA 2000 M</i>	Code D813891ZB
FLAT STEEL	
<i>DELTA 2000 FS</i>	Code D813903ZB
SOFER	
<i>DELTA 2000 Sofer A</i>	Code D813897ZB
<i>DELTA 2000 Sofer SA</i>	Code D813898ZB
<i>DELTA 2000 Sofer M</i>	Code D813899ZB

BRAZIL

<i>DELTA 2000 Brazil A</i>	Code D813900ZB
<i>DELTA 2000 Brazil SA</i>	Code D813901ZB
<i>DELTA 2000 Brazil M</i>	Code D813902ZB

JAPAN

<i>DELTA 2000 Japan A</i>	Code D813895ZB
<i>DELTA 2000 Japan SA</i>	Code D813896ZB

PLUS

<i>DELTA Plus A</i>	Code D813888ZB
<i>DELTA Plus SA</i>	Code D813889ZB
<i>DELTA Plus M</i>	Code D813890ZB
<i>DELTA Plus FS</i>	Code D813894ZB